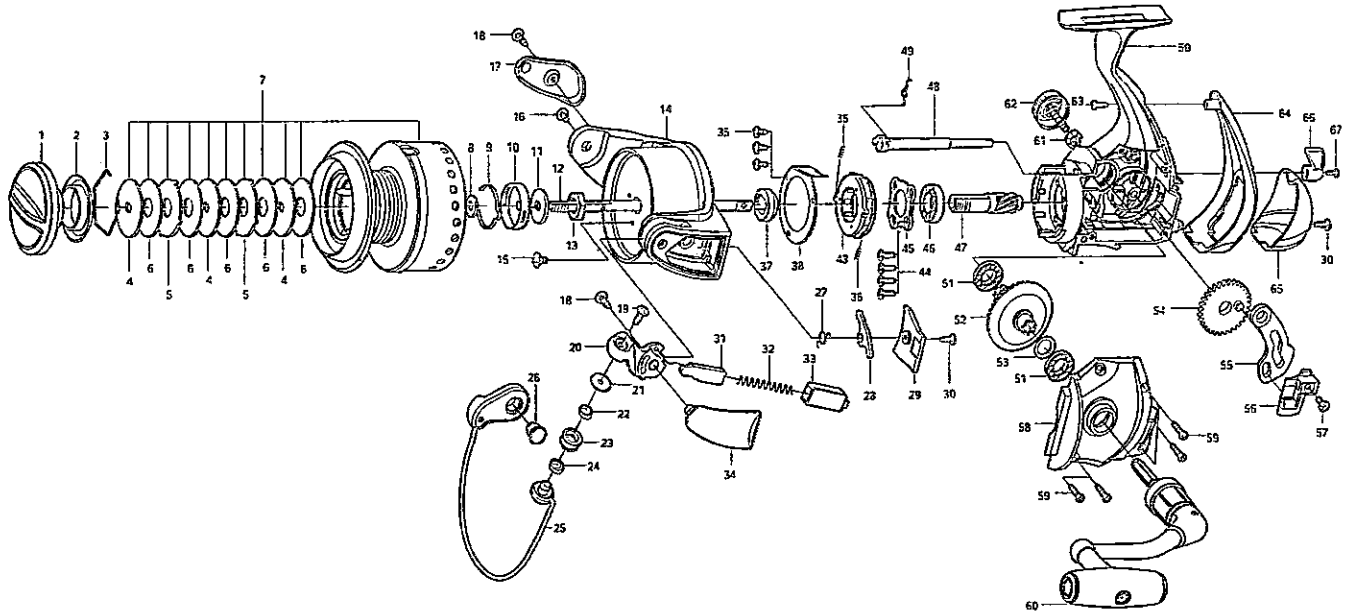




SPINNING REEL

CATFISH COLLECTOR SERIES

CS6000



Key NO.	Parts No.	Parts name	Key NO.	Parts No.	Parts name
1	2YD-049-06	DRAG KNOB ASSEMBLY	33	2C2-068-01	BAIL SPRING GUIDE
2	2E9-015-01	PROOF WATER RING	34	2R4-092-04	BAIL SPRING COVER
3	2E4-003-01	DRAG WASHER RETAINER	35	2E1-015-02	B26-060 SCREW
4	2W2-048-01	KEY WASHER	36	2Q1-071-01	CAGE SPRING
5	2W3-027-01	EARED WASHER	37	2A4-019-01	ONE-WAY CLUTCH INNER TUBE
6	2W1-175-01	100-300 WASHER	38	2F5-196-01	ROLLER CLUTCH RETAINER
7	2YT-176-17	SPOOL TOTAL ASSEMBLY	43	2YZ-015-01	ONE-WAY CLUTCH BEARING ASSEMBLY
8	2W2-011-01	KEY WASHER	44	2E1-063-01	F26-070 SCREW
9	2L3-015-01	CLICK LEAF SPRING	45	2F5-178-01	BEARING RETAINER
10	2F8-019-01	CLICK LEAF SPRING HOLDER	46	2Z1-008-05	1020-5 BALL BEARING
11	2W2-019-01	KEY WASHER	47	2G2-057-01	PINION GEAR
12	2M3-068-01	MAIN SHAFT	48	2A2-066-01	ANTI-REVERSE CAM
13	2E3-003-01	ROTOR NUT	49	2Q3-072-01	ANTI-REVERSE SPRING
14	2R1-069-08	ROTOR	50	2B1-082-08	BODY
15	2E1-019-01	D26-060 SCREW	51	2Z1-007-05	917-4 BALL BEARING
16	2E2-004-01	B30M-060 SCREW	52	2G1-052-02	DRIVE GEAR
17	2R4-091-04	BAIL TRIP COVER	53	2W1-014-01	091-130 WASHER
18	2E1-011-01	B30-100 SCREW	54	2G3-045-01	OSCILLATING GEAR
19	2E2-007-01	B30M-100 SCREW	55	2M2-008-01	OSCILLATING SLIDER CRANK
20	2R2-030-08	BAIL ARM	56	2M1-041-01	OSCILLATING SLIDER
21	2C1-049-01	LINE ROLLER COLLAR	57	2E2-056-01	F30M-060 SCREW
22	2Z1-001-05	508-2.5 BALL BEARING	58	2B2-051-08	BODY COVER
23	2R6-018-02	LINE ROLLER	59	2E1-006-02	A30-130 SCREW
24	2C1-068-01	COLLAR	60	2YH-378-02	HANDLE TOTAL ASSMBLY
25	2YL-080-06	BAIL ASSEMBLY	61	2C3-047-01	HANDLE SCREW SLEEVE
26	2E3-015-02	BAIL HOLDER NUT	62	2H6-002-01	HANDLE SCREW CAP
27	2Q3-056-01	BAIL TRIP LEVER SPRING	63	2E1-055-01	A26-100 SCREW
28	2R5-087-01	BAIL TRIP LEVER	64	2F5-219-03	REAR COVER A
29	2F5-217-08	ROTOR COVER	65	2F5-220-03	REAR COVER B
30	2E1-016-02	B26-080 SCREW	66	2A1-025-13	ANTI-REVERSE LEVER
31	2R5-088-01	BAIL TRIP SHAFT	67	2E2-013-02	B20M-060 SCREW
32	2Q1-066-01	BAIL SPRING			