

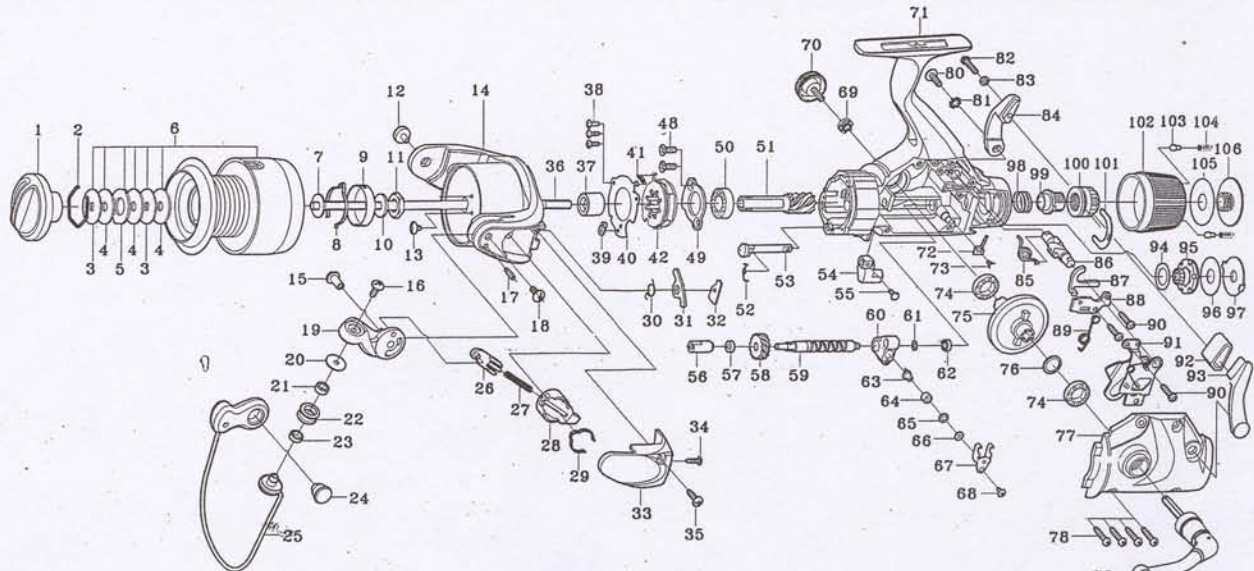


SPINNING REEL

COLLECTOR SERIES

Please order by parts number, not key number
Bitte, Best-Nr. angeben (Nicht "key" -nr.)
Veuillez indiquer le numero de la piece (Non "key" no.)

CS4507BR

Key
NO.

Parts No.

Parts name

1	2YD-030-05	DRAG KNOB ASSEMBLY
2	2E4-009-01	DRAG WASHER RETAINER
3	2W2-005-01	KEY WASHER
4	2W1-052-01	050-187 WASHER
5	2W3-003-01	EARED WASHER
6	2YT-217-05	SPOOL TOTAL ASSEMBLY
7	2W2-023-01	KEY WASHER
8	2L3-018-01	CLICK LEAF SPRING
9	2F8-027-01	CLICK LEAF SPRING HOLDER
10	2W2-024-01	KEY WASHER
11	2E3-002-01	ROTOR NUT
12	2E0-008-01	BAIL HOLDER SCREW
13	2E1-028-01	B26-050 SCREW
14	2R1-092-06	ROTOR
15	2E3-040-02	SHAFT NUT
16	2E2-018-01	B30M-080 SCREW
17	2P1-032-01	BAIL ARM PIN
18	2E2-018-01	B30M-080 SCREW
19	2R2-037-05	BAIL ARM
20	2C1-034-01	LINE ROLLER COLLAR
21	2Z1-012-05	407-2.5 BALL BEARING
22	2R6-020-01	LINE ROLLER
23	2C2-032-01	LINE ROLLER BUSH
24	2E3-019-01	BAIL HOLDER NUT
25	2YL-100-03	BAIL ASSEMBLY
26	2R5-109-01	BAIL TRIP SHAFT
27	2Q1-023-01	BAIL SPRING
28	2C2-084-01	BAIL SPRING GUIDE
29	2L3-029-01	CLICK LEAF SPRING
30	2Q3-056-01	BAIL TRIP LEVER SPRING
31	2R5-113-01	BAIL TRIP LEVER
32	2W5-037-01	SPACER
33	2R4-114-03	BAIL SPRING COVER
34	2E1-048-01	B22-080 SCREW
35	2E1-046-01	B26-110 SCREW
36	2M3-049-01	MAIN SHAFT
37	2A4-026-01	ONE-WAY CLUTCH INNER TUBE
38	2E1-029-01	B22-090 SCREW
39	2F8-079-01	ANTI-REVERSE SPRING ANCHOR
40	2F5-189-01	ROLLER CLUTCH RETAINER
41	2Q2-016-01	SPRING
42	2YZ-017-01	ONE-WAY CLUTCH BEARING ASSEMBLY
48	2E1-068-01	F30-100 SCREW
49	2F5-203-01	BEARING RETAINER
50	2Z1-005-05	816-5 BALL BEARING
51	2G2-041-02	PINION GEAR
52	2Q3-009-01	ANTI-REVERSE SPRING
53	2A2-034-01	ANTI-REVERSE CAM
54	2A1-026-03	ANTI-REVERSE LEVER
55	2E2-013-02	B20M-060 SCREW
56	2C2-049-01	WORM SHAFT BUSH C

Key
NO.

Parts No.

Parts name

57	2C1-048-01	WORM SHAFT COLLAR
58	2G3-018-01	OSCILLATING GEAR
59	2M4-007-01	WORM SHAFT
60	2M1-027-01	OSCILLATING SLIDER
61	2W1-058-02	030-050 WASHER
62	2Z1-014-05	306-2.5 BALL BEARING
63	2M5-004-01	LINE GUIDE PIN
64	2C2-034-01	LINE GUIDE PIN BUSH
65	2W1-107-02	030-050 WASHER
66	2W1-059-01	020-049 WASHER
67	2E5-017-01	OSCILLATING SLIDER RETAINER
68	2E2-040-01	b26M-060 SCREW
69	2C3-042-01	HANDLE SCREW SLEEVE
70	2H6-001-10	HANDLE SCREW CAP
71	2YB-135-05	BODY ASSEMBLY
72	2L2-014-01	HIT AND RUN CLICK PAWL
73	2E1-050-01	A20-060 SCREW
74	2Z1-004-05	814-3.5 BALL BEARING
75	2G1-030-02	DRIVE GEAR
76	2W1-035-00	080-105 WASHER
77	2B2-033-05	BODY COVER
78	2E1-006-02	A30-130 SCREW
79	2YH-253-01	HANDLE TOTAL ASSEMBLY
80	2E2-007-01	B30M-100 SCREW
81	2E8-004-01	STARWASHER
82	2E2-039-01	A26M-120 SCREW
83	2W1-127-01	027-048 WASHER
84	2D4-006-01	HIT AND RUN LEVER ARM (R)
85	2Q3-078-01	CLUTCH PAWL SPRING
86	2A2-042-01	HIT AND RUN LEVER SHAFT
87	2F6-026-01	CLUTCH PAWL
88	2F6-057-01	CLUTCH PAWL RETAINER
89	2Q3-079-01	CLUTCH CAM SPRING
90	2E1-005-02	A26-120 SCREW
91	2YF-030-01	CLUTCH PLATE ASSEMBLY
92	2C3-026-03	LEVER ARM SPACER
93	2D4-005-01	HIT AND RUN LEVER ARM (L)
94	2W1-120-01	092-142 WASHER
95	2YF-045-01	CLICK GEAR ASSEMBAL
96	2W1-121-01	070-204 WASHER
97	2W3-019-01	EARED WASHER
98	2Q1-002-01	DRAG SPRING
99	2D3-023-01	PRESSURE SCREW
100	2D2-011-01	HIT AND RUN CONTROL NUT
101	2E5-021-01	CONTROL NUT RETAINER
102	2YD-037-01	HIT AND RUN CONTROL KNOB
103	2P1-008-01	CLICK PIN
104	2Q1-014-01	CLICK PIN SPRING
105	2W1-122-01	092-250 WASHER
106	2E0-016-02	HIT AND RUN CONTROL KNOB SCREW