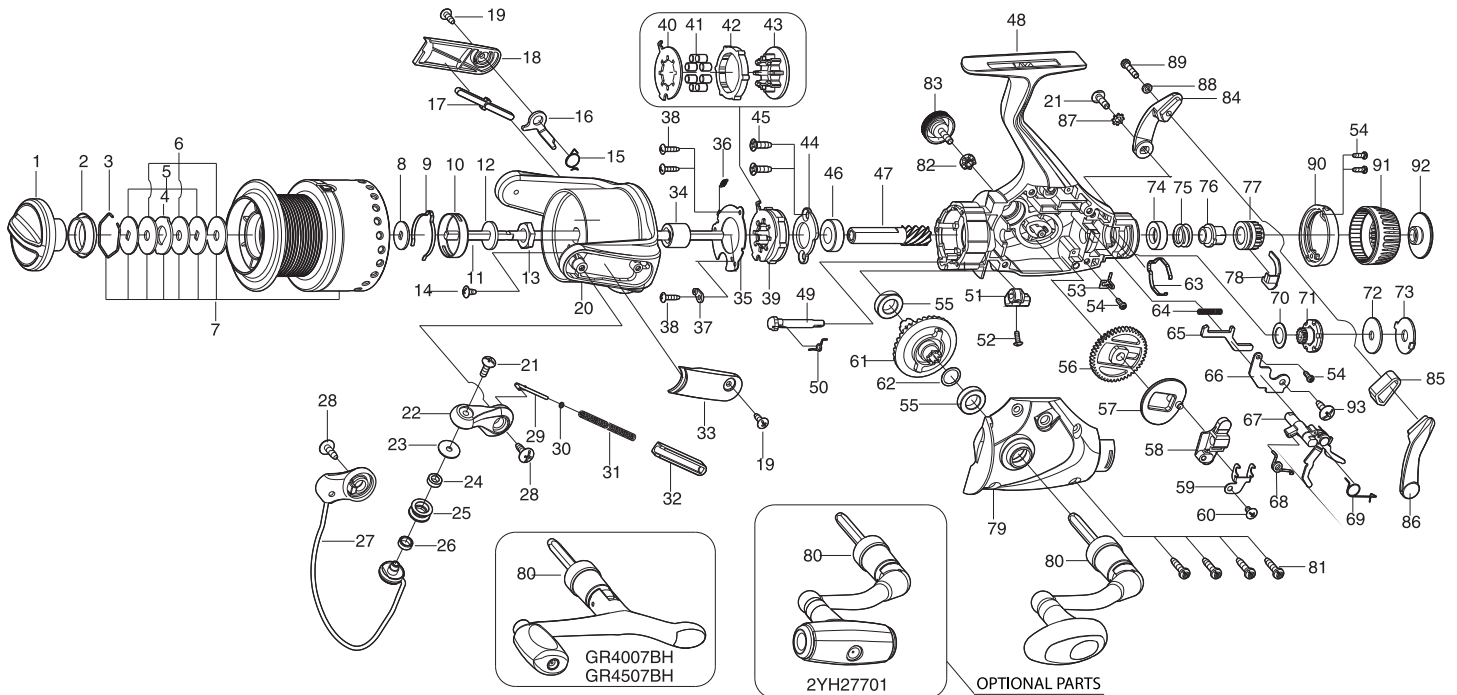




# SPORTERA SPINNING REEL

Please order by parts number, not key number  
Bitte, Best.-Nr. angeben (Nicht "key" -nr.)  
Veuillez indiquer le numero de la piece (Non "key" no.)

## GR4007 / GR4007BH / GR4507 / GR4507BH



Key NO.	Parts No.	Parts name	Key NO.	Parts No.	Parts name
1	2YD-030-07	DRAG KNOB ASSEMBLY	51	2A1-026-04	ANTI-REVERSE LEVER
2	2E9-016-01	PROOF WATER RING	52	2E2-013-04	B20M-060 SCREW
3	2E4-009-01	DRAG WASHER RETAINER	53	2L2-016-01	HIT AND RUN CLICK PAWL
4	2W3-003-01	EARED WASHER	54	2E1-050-01	A20-060 SCREW
5	2W2-005-01	KEY WASHER	55	2Z1-023-05	814-4 BALL BEARING
6	2W1-052-01	050-187 WASHER	56	2G3-080-01	OSCILLATING GEAR
7	2YT-359-01	SPOOL TOTAL ASSEMBLY	57	2M2-015-01	OSCILLATING CAM
8	2W2-023-01	KEY WASHER	58	2M1-055-01	OSCILLATING SLIDER
9	2L3-018-01	CLICK LEAF SPRING	59	2E5-050-01	OSCILLATING SLIDER RETAINER
10	2F8-027-01	CLICK LEAF SPRING HOLDER	60	2E2-006-03	B26M-050 SCREW
11	2M3-118-01	MAIN SHAFT	61	2G1-103-01	DRIVE GEAR
12	2W2-024-01	KEY WASHER	62	2W1-035-02	080-105 WASHER
13	2E3-002-01	ROTOR NUT	63	2L3-032-01	CONTROL KNOB CLICK LEAF SPRING
14	2E1-028-01	B26-050 SCREW	64	2Q1-091-01	CLUTCH PAWL SPRING
15	2Q3-108-01	BAIL SPRING	65	2F6-106-01	CLUTCH PAWL
16	2R5-144-01	BAIL TRIP LEVER	66	2F6-107-01	CLUTCH PAWL RETAINER
17	2R5-143-01	BAIL PAWL	67	2YA-028-01	HIT AND RUN LEVER SHAFT ASSEMBLY
18	2R4-159-01	BAIL TRIP COVER	68	2Q3-097-01	CLUTCH CAM SPINING
19	2E1-016-04	B26-080 SCREW	69	2Q3-110-01	SPRING B
20	2R1-122-01	ROTOR	70	2W1-178-01	081-125WASHER
21	2E2-007-04	B30M-100 SCREW	71	2YF-135-01	CLICK GEAR ASSEMBAL
22	2R2-053-01	BAIL ARM	72	2W1-179-01	045-178WASHER
23	2C1-034-01	LINE ROLLER COLLAR	73	2W3-028-01	EARED WASHER
24	2Z1-012-05	407-2.5 BALL BEARING	74	2C1-101-01	COLLAR
25	2R6-020-01	LINE ROLLER	75	2Q1-085-01	DRAG SPRING
26	2C2-032-01	LINE ROLLER BUSH	76	2D3-040-01	PRESSURE SCREW
27	2YL-130-01	BAIL ASSEMBLY	77	2D2-012-01	HIT AND RUN CONTROL NUT
28	2E1-010-04	b30-100 SCREW	78	2E5-036-01	CONTROL NUT RETAINER
29	2R5-135-01	BAIL TRIP SHAFT	79	2B2-088-01	BODY COVER
30	2W1-199-01	015-027 WASHER	80	2YH-245-03	HANDLE TOTAL ASSEMBLY
31	2Q1-101-01	BAIL SPRING	81	2E1-006-04	A30-130 SCREW
32	2C2-111-01	BAIL SPRING GUIDE	82	2C3-042-01	HANDLE SCREW SLEEVE
33	2R4-160-01	BAIL SPRING COVER	83	2H6-001-12	HANDLE SCREW CAP
34	2A4-026-01	ONE-WAY CLUTCH INNER TUBE	84	2D4-005-01	HIT AND RUN LEVER ARM (L)
35	2F5-189-01	ROLLER CLUTCH RETAINER	85	2C3-026-02	LEVER ARM SPACER
36	2Q2-016-01	SPRING	86	2D4-006-02	HIT AND RUN LEVER ARM (R)
37	2F8-079-01	ANTI-REVERSE SPRING ANCHOR	87	2E8-004-01	STARWASHER
38	2E1-029-01	B22-090 SCREW	88	2W1-127-01	027-048 WASHER
39	2YZ-017-01	ONE-WAY CLUTCH BEARING ASSEMBLY	89	2E2-039-01	A26M-120 SCREW
40	2F2-027-01	ANTI-REVERSE PAWL	90	2F5-318-01	REAR COVER
41	2Z3-003-01	ROLLER	91	2D1-052-02	HIT AND RUN CONTROL KNOB
42	2A3-025-01	ANTI-REVERSE RATCHET	92	2E0-034-01	HIT AND RUN CONTROL KNOB SCREW
43	2F8-082-01	CAGE	93	2E1-010-01	b30-100 SCREW
44	2F5-203-01	BEARING RETAINER			
45	2E1-068-01	F30-100 SCREW	GR4007BH	SPECIAL PARTS	
46	2Z1-005-05	816-5 BALL BEARING	80	2YH-247-03	HANDLE TOTAL ASSEMBLY
47	2G2-041-02	PINION GEAR	GR4507	SPECIAL PARTS	
48	2YB-225-01	BODY ASSEMBLY	7	2YT-360-01	SPOOL TOTAL ASSEMBLY
49	2A2-034-01	ANTI-REVERSE CAM	GR4507BH	SPECIAL PARTS	
50	2Q3-009-01	ANTI-REVERSE SPRING	7	2YT-360-01	SPOOL TOTAL ASSEMBLY
			80	2YH-247-03	HANDLE TOTAL ASSEMBLY