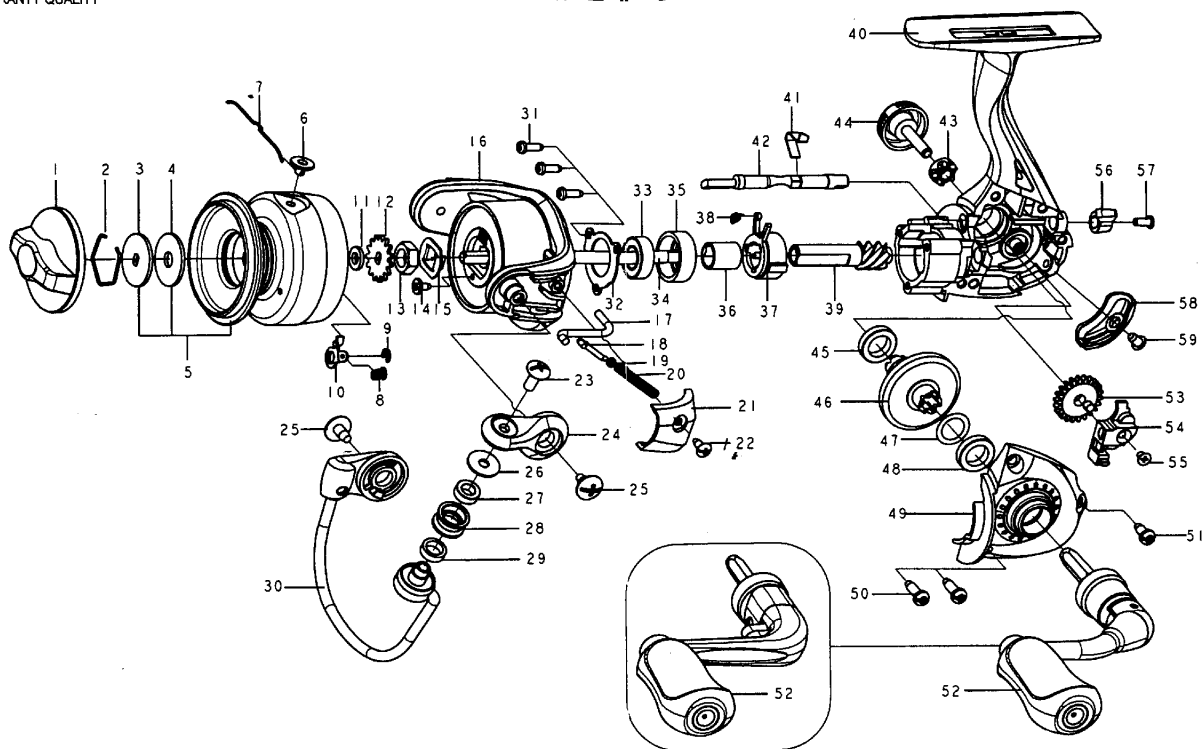




SPINNING REEL

CETUS

GV800/SB800



Key NO.	Parts No.	Parts name	Key NO.	Parts No.	Parts name
	2YD-111-01	DRAG KNOB ASSEMBLY	36	2A4-092-01	ONE-WAY CLUTCH INNER TUBE
	2E4-008-01	DRAG WASHER RETAINER	37	2YZ-032-01	ONE-WAY CLUTCH BEARING ASSEMBLY
	2W2-042-01	KEY WASHER	38	2Q2-024-01	SPRING
	2W1-159-02	045-152 WASHER	39	2G2-185-01	PINION GEAR
	2YT-498-01	SPOOL TOTAL ASSEMBLY	40	2B1-198-01	BODY
	2S4-019-01	LINE STOPPER	41	2L5-025-01	ANTI-REVERSE CAM SPRING
	2Q3-121-01	SPRING	42	2A2-120-01	ANTI-REVERSE CAM
	2Q2-015-01	CLICK PAWL SPRING	43	2C3-042-01	HANDLE SCREW SLEEVE
	2E5-020-01	E1.5 RETAINER	44	2H6-016-01	HANDLE SCREW CAP
	2L2-015-01	CLICK PAWL	45	2Z1-011-05	711-2.5 BALL BEARING
	2W1-051-02	033-065 WASHER	46	2G1-165-01	DRIVE GEAR
	2F3-077-01	CLICK GEAR	47	2W1-019-00	071-103 WASHER
	2E3-062-01	ROTOR NUT	48	2Z1-011-05	711-2.5 BALL BEARING
	2E1-056-01	X20-035 SCREW	49	2B2-142-01	BODY COVER
	2C3-027-01	ROTOR NUT RETAINER	50	2E1-045-01	A26-080 SCREW
	2R1-154-01	ROTOR	51	2E1-060-01	A26-060 SCREW
	2R5-197-01	BAIL PAWL	52	2YH-263-01	HANDLE TOTAL ASSEMBLY
	2R5-177-01	BAIL TRIP LEVER	53	2G3-101-01	OSCILLATING GEAR
	2W1-199-01	015-027 WASHER	54	2M1-083-01	OSCILLATING SILDER
	2Q3-120-01	BAIL SPRING	55	2E2-103-01	F20M-030 SCREW
	2R4-218-01	BAIL SPRING COVER	56	2A1-038-01	ANTI-REVERSE LEVER
	2E1-020-02	B22-055 SCREW	57	2E2-099-01	B20M-050 SCREW
	2E2-018-01	B30M-080 SCREW	58	2F5-483-01	REAR COVER
	2R2-075-01	BAIL ARM	59	2E1-071-01	B26-040 SCREW
	2E1-024-01	b30-060 SCREW	SB800 SPECIAL PARTS		
	2C1-056-01	LINE ROLLER COLLAR	1	2YD-111-02	DRAG KNOB ASSEMBLY
	2Z1-012-05	407-2.5 BALL BEARING	5	2YT-529-01	SPOOL TOTAL ASSEMBLY
	2R6-012-02	LINE ROLLER	16	2R1-154-02	ROTOR
	2C2-032-01	LINE ROLLER BUSH	21	2R4-218-02	BAIL SPRING COVER
	2YL-166-01	BAIL ASSEMBLY	28	2R6-012-01	LINE ROLLER
	2E1-050-01	A20-060 SCREW	40	2B1-198-02	BODY
	2F5-510-01	ROLLER CLUTCH RETAINER	44	2H6-016-02	HANDLE SCREW CAP
	2Z1-019-05	612-4 BALL BEARING	49	2B2-142-02	BODY COVER
	2M3-170-01	MAIN SHAFT	52	2YH-263-02	HANDLE TOTAL ASSEMBLY
	2C1-138-01	BUSHING	58	2F5-483-02	REAR COVER